

Blackjack[®] TOWER[™]

Servers Powered by DW Spectrum[®] IPVMS

Full-size servers

DW-BJTR715xxT/LX/S, DW-BJTR716xxT/LX/S



NDAA/TAA
COMPLIANT PRODUCTS

40-112TB

40-112TB Storage



600Mbps Throughput



Windows 10, Server & Linux Ubuntu OS



RAID5, 6



Hot-Swappable HDD

5 YEAR

Limited Warranty

Summary

Blackjack[®] Tower[™] mid-size servers are reliable and high-performance solutions for recording multiple IP cameras of any resolution at up to 600Mbps throughput. The servers are UL-listed and NDA/TAA compliant and include Windows 10[®], Linux[®] Ubuntu[®] or Windows Server[®] OS on a separate SSD. Hardware features include an Intel[®] Core[™] i7 processor, 16GB RAM, dual network cards and local output for system configuration. The servers come pre-loaded with DW Spectrum[®] IPVMS and four complimentary recording licenses, provide up to 112TB internal storage with RAID5 or RAID6 options, hot-swappable drives, are ONVIF conformant and come with a 5 year limited warranty.

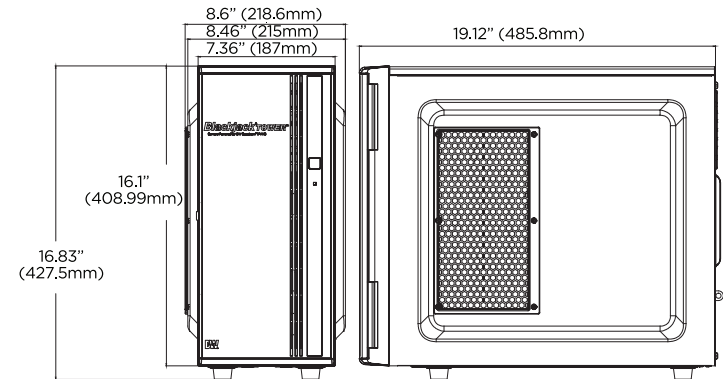
Features

- Supports all ONVIF conformant IP cameras
- Up to 112TB raw internal storage (see models on next page)
- Hot-swappable HDDs
- OS on SSD
- RAID5, RAID6 options
- Record and manage single- and multi-sensor IP cameras of any resolution up to 600Mbps throughput (max 420Mbps with RAID6)
- 1x true HD, 1x DVI, 1x DisplayPort for local configuration
- Dual network ports
- Windows 10[®], Ubuntu[®] Linux[®] and Windows Server[®] OS options
- Hosting DW Spectrum[®] for setup, configuration and recording
- One-time recording license charge, fully transferable between cameras and encoders
- One (1) 4-channel license included (DW-SPECTRUMLSC004)
- No annual maintenance fees
- Simple enterprise scalability
- Auto device discovery
- Dual-stream recording
- USB mouse and keyboard included
- Designed, assembled and tested in the U.S.A.
- UL Listed
- NDAA/TAA compliant
- 5 year limited warranty



Dimensions

Unit: Inch (mm)



Specifications



Included IP licenses		4
Form factor		Full Tower
Operating system	Windows [®] 10	DW-BJTR715xxT/ DW-BJTR716xxT
	Linux Ubuntu [®]	DW-BJTR715xxTLX/ DW-BJTR716xxTLX
	Windows Server [®]	DW-BJTR715xxTS/ DW-BJTR716xxTS
	OS on SSD	240GB SSD
CPU		Intel [®] Core [™] i7 processor
Memory		16GB
Ethernet port		2x 1G Ethernet
System	Maximum video storage	RAID5: 600Mbps RAID6: 420Mbps
	Maximum HDD	7 x 3.5 SATA HDD, hot-swappable
Storage	Maximum storage	Maximum raw 112TB
	RAID options	RAID5, RAID6
	Outputs	1x true HD, 1x DVI, 1x DisplayPort. Max 1 display output at a time
Video	Video card	On-board Intel Graphics
Preloaded VMS software		DW Spectrum [®] IPVMS
Remote clients		Cross-platform - Windows [®] , Linux Ubuntu [®] and Mac [®]
Mobile apps		iOS [®] and Android [®]
Keyboard and mouse		Included
Power supply		500W**
Operating temperature and humidity		41°F-104°F (5°C-40°C)
Operating humidity		20-90% RH
Dimension (WxDxH)		8.6" x 19.12" x 16.83" (218.6 x 485.8 x 427.5 mm)
Other certification		UL, FCC and CE
Warranty		5 year limited

Designed and Commissioned in the U.S.A.

* Available at initial order only
** A UPS is recommended

Accessories



DW-BJMTC5204T,
DW-BJMTC7404T
Blackjack[®] Monitoring Workstation



DW-BJC2P
Blackjack[®] C2P Workstation

Available models continued on page 2.



Increase sales and profitability. Sign up and become a DW Channel Partner today!



☎: 866.446.3595

✉: sales@digital-watchdog.com



www.digital-watchdog.com



Available Models

Windows 10[®]

- DW-BJTR71540T - 40TB storage, 30TB usable storage, RAID5
- DW-BJTR71550T - 50TB storage, 40TB usable storage, RAID5
- DW-BJTR71560T - 60TB storage, 50TB usable storage, RAID5
- DW-BJTR71564T - 64TB storage, 48TB usable storage, RAID5
- DW-BJTR71570T - 70TB storage, 60TB usable storage, RAID5
- DW-BJTR71580T - 80TB storage, 64TB usable storage, RAID5
- DW-BJTR71596T - 96TB storage, 80TB usable storage, RAID5
- DW-BJTR715112T - 112TB storage, 96TB usable storage, RAID5
- DW-BJTR71650T - 50TB storage, 30TB usable storage, RAID6
- DW-BJTR71660T - 60TB storage, 40TB usable storage, RAID6
- DW-BJTR71664T - 64TB storage, 32TB usable storage, RAID6
- DW-BJTR71670T - 70TB storage, 50TB usable storage, RAID6
- DW-BJTR71680T - 80TB storage, 48TB usable storage, RAID6
- DW-BJTR71696T - 96TB storage, 64TB usable storage, RAID6
- DW-BJTR716112T - 112TB storage, 80TB usable storage, RAID6

Ubuntu[®] Linux[®]

- DW-BJTR71540TLX - 40TB storage, 30TB usable storage, RAID5
- DW-BJTR71550TLX - 50TB storage, 40TB usable storage, RAID5
- DW-BJTR71560TLX - 60TB storage, 50TB usable storage, RAID5
- DW-BJTR71564TLX - 64TB storage, 48TB usable storage, RAID5
- DW-BJTR71570TLX - 70TB storage, 60TB usable storage, RAID5
- DW-BJTR71580TLX - 80TB storage, 64TB usable storage, RAID5
- DW-BJTR71596TLX - 96TB storage, 80TB usable storage, RAID5
- DW-BJTR715112TLX - 112TB storage, 96TB usable storage, RAID5
- DW-BJTR71650TLX - 50TB storage, 30TB usable storage, RAID6
- DW-BJTR71660TLX - 60TB storage, 40TB usable storage, RAID6
- DW-BJTR71664TLX - 64TB storage, 32TB usable storage, RAID6
- DW-BJTR71670TLX - 70TB storage, 50TB usable storage, RAID6
- DW-BJTR71680TLX - 80TB storage, 48TB usable storage, RAID6
- DW-BJTR71696TLX - 96TB storage, 64TB usable storage, RAID6
- DW-BJTR716112TLX - 112TB storage, 80TB usable storage, RAID6

Windows[®] Server[®] OS

- DW-BJTR71540TS - 40TB storage, 30TB usable storage, RAID5
- DW-BJTR71550TS - 50TB storage, 40TB usable storage, RAID5
- DW-BJTR71560TS - 60TB storage, 50TB usable storage, RAID5
- DW-BJTR71564TS - 64TB storage, 48TB usable storage, RAID5
- DW-BJTR71570TS - 70TB storage, 60TB usable storage, RAID5
- DW-BJTR71580TS - 80TB storage, 64TB usable storage, RAID5
- DW-BJTR71596TS - 96TB storage, 80TB usable storage, RAID5
- DW-BJTR715112TS - 112TB storage, 96TB usable storage, RAID5
- DW-BJTR71650TS - 50TB storage, 30TB usable storage, RAID6
- DW-BJTR71660TS - 60TB storage, 40TB usable storage, RAID6
- DW-BJTR71664TS - 64TB storage, 32TB usable storage, RAID6
- DW-BJTR71670TS - 70TB storage, 50TB usable storage, RAID6
- DW-BJTR71680TS - 80TB storage, 48TB usable storage, RAID6
- DW-BJTR71696TS - 96TB storage, 64TB usable storage, RAID6
- DW-BJTR716112TS - 112TB storage, 80TB usable storage, RAID6



Increase sales and profitability. Sign up and become a DW Channel Partner today!



: 866.446.3595 : sales@digital-watchdog.com : www.digital-watchdog.com