



**NDAA/TAA**  
COMPLIANT PRODUCT

20-140TB

20-140TB Storage



600Mbps Throughput



Windows 10 & Linux Ubuntu OS



Intel Processor



Hot-Swappable HDD

**5 YEAR**

Limited Warranty

## Summary

Blackjack<sup>®</sup> Tower<sup>™</sup> servers are reliable and high-performance solutions for recording multiple IP cameras of any resolution at up to 600Mbps throughput. The servers are UL-listed and NDAA/TAA compliant and come pre-loaded with DW Spectrum<sup>®</sup> IPVMS and four complimentary recording licenses, provide up to 140TB internal storage, hot-swappable drives, are ONVIF conformant and come with a 5 year limited warranty.

## Features

- Supports all ONVIF conformant IP cameras
- Up to 140TB internal storage (see models on next page)
- Hot-swappable HDDs
- Record and manage single- and multi-sensor IP cameras of any resolution up to 600Mbps throughput
- OS on separate SSD
- Hosting DW Spectrum<sup>®</sup> for setup, configuration and recording
- One-time recording license charge, fully transferable between cameras and encoders
- One (1) 4-channel license included (DW-SPECTRUMLSC004).
- No annual maintenance fees
- Simple enterprise scalability
- Auto device discovery
- Dual-stream recording
- USB mouse and keyboard included
- Designed, assembled and tested in the U.S.A.
- UL Listed
- NDAA/TAA compliant
- 5 year limited warranty



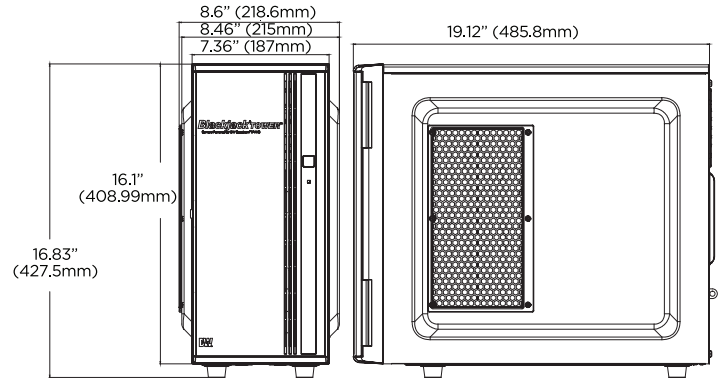
## Accessories



DW-BJMTC5204T,  
DW-BJMTC7404T  
Blackjack<sup>®</sup> Monitoring Workstation

## Dimensions

Unit: Inch (mm)



## Specifications



Included IP licenses		4
Form factor		Full-size tower
Operating system		Windows 10 IoT Enterprise LTSC Ubuntu Desktop 20.04.5 LTS
CPU		Intel <sup>®</sup> Core <sup>™</sup> i7 processor
Memory		16GB
Ethernet port		2x 1G Ethernet
System	Maximum video storage	600Mbps
Storage	Maximum storage drives	7 x 3.5 SATA HDD, hot-swappable
	Maximum storage	Maximum 140TB
	RAID options	---
	USB interface	Yes
Video	Outputs	1x true HD, 1x DVI, 1x DisplayPort, for system configuration. 1 display output at a time.
	Video card	On-board Intel Graphics
Pre-loaded VMS software		DW Spectrum <sup>®</sup> IPVMS
Remote clients		Cross-platform - Windows <sup>®</sup> , Linux Ubuntu <sup>®</sup> and Mac <sup>®</sup>
Mobile apps		iOS <sup>®</sup> and Android <sup>®</sup>
Keyboard and mouse		Included
Power supply		500W**
Operating temperature and humidity		41°F-104°F (5°C-40°C)
Operating humidity		20-90% RH
Dimension (WxDxH)		8.6" x 19.12" x 16.83" (218.6 x 485.8 x 427.5 mm)
Other certification		UL, FCC and CE
Warranty		5 year limited

Designed and Commissioned in the U.S.A.

\*\* A UPS is recommended  
Available models continued on page 2.



866.446.3595

sales@digital-watchdog.com



www.digital-watchdog.com

# Built for Users.™



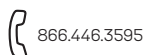
## Available Models

### Windows 10<sup>®</sup>

- DW-BJT7120T - 20TB storage
- DW-BJT7140T - 40TB storage
- DW-BJT7160T - 60TB storage
- DW-BJT7180T - 80TB storage
- DW-BJT71100T - 100TB storage
- DW-BJT71120T - 120TB storage
- DW-BJT71140T - 140TB storage

### Ubuntu<sup>®</sup> Linux<sup>®</sup>

- DW-BJT7120TLX - 20TB storage
- DW-BJT7140TLX - 40TB storage
- DW-BJT7160TLX - 60TB storage
- DW-BJT7180TLX - 80TB storage
- DW-BJT71100TLX - 100TB storage
- DW-BJT71120TLX - 120TB storage
- DW-BJT71140TLX - 140TB storage



# Built for Users.<sup>™</sup>

